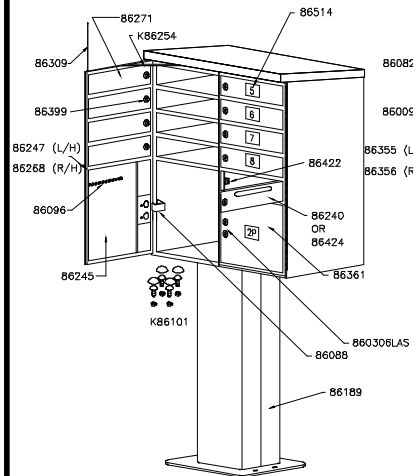
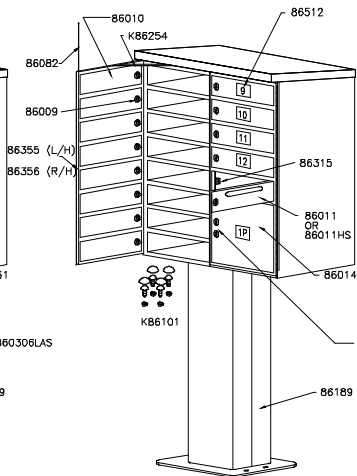


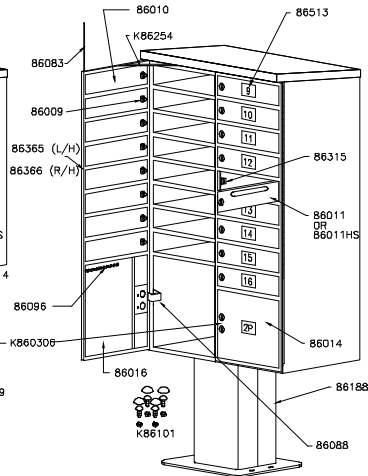
REPLACEMENT PARTS FOR MODEL 1575
(8, 12, 13 & 16 Compartment Types)



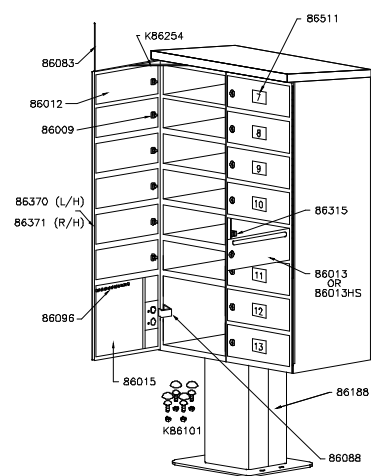
8 Compartment
(TYPE I)



12 Compartment
(TYPE II)



16 Compartment
(TYPE III)



13 Compartment
(TYPE IV)

NOTE:
REFER TO REVERSE SIDE(CS2034-B1) FOR PART DESCRIPTION

NOTE: USPS PERSONNEL - CONTACT THE MAIL
EQUIPMENT SHOP FOR THE 306P MASTER KEY

AUTH **AF** FLORENCE
MANUFACTURING COMPANY
6936 CORPORATE DRIVE
MANHATTAN KANSAS 66503